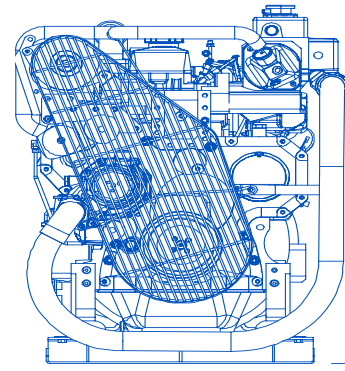
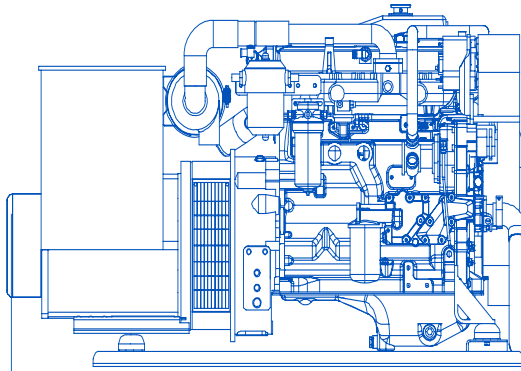


The **KILOPAK**[®] Difference

At Kilo-Pak, we engineer for that extra measure of reliability. Simply put, when our engines are connected with our generators, the generator sets will always produce their full rated kilowatts and hertz continuously, even at peak demand conditions, without flinching. The result is a long "worry free" service life.

KILOPAK[®]

kW	Model	Length	Width	Height	Weight
40	HE08PF3P	60.50	27.75	44.50	1675 lbs
45-55	HE08PF3P	63.75	31.75	41.75	2105 lbs
65	HE08PF3P	65.50	31.75	41.75	2250 lbs
75-90	HE08PF3P	74.25	34.00	46.25	2550 lbs
99	HE08PF3P	78.25	34.00	46.25	2700 lbs
110-130	HE08PF3P	84.75	35.50	52.00	3200 lbs
150	HE08PF3P	86.75	35.50	52.00	3425 lbs
175	HE08PF3P	88.25	35.50	52.00	3675 lbs



STANDARD FEATURES

- › Simplicity of design
- › One side serviceability
- › Generator windings heavily coated with epoxy
- › Water cooled exhaust manifold
- › Stainless steel water jacketed exhaust elbow
- › Rubber impeller raw water pump
- › Stainless steel hose clamps
- › US Coast Guard accepted fuel and oil lines
- › Closed crankcase ventilation system
- › Heavy-duty air intake filter/silencer
- › Steel mounting skid
- › Vibration isolators
- › Start panel with hour meter
- › Low oil pressure, high water temperature and high exhaust elbow temperature shutdowns
- › Mechanical oil pressure and water temperature gauges
- › Electronic governor
- › Operator and parts manuals on CD
- › 12 volt starting
- › 12 volt battery charging alternator

OPTIONAL FEATURES

- › Sound attenuating enclosures
- › Dual mounting options
- › Hydraulic mounts
- › Remote starting options
- › Circuit breaker
- › Paralleling module
- › PMG
- › Energy Management System (Wizard)
- › 24 volt starting
- › 24 volt battery charging alternator
- › Stainless steel skid with drip pan
- › Stainless steel fuel supply line, fuel return line and oil drain line with stainless steel valve landed in stainless steel manifold on unit service side

NOTE:

All specifications and dimensions are subject to change without prior notice. Dimensions and weights are approximate only and are not to be used for installation purposes. Drawings shown with options. For more specific model information, see our web site or contact one of our sales offices.



Main Sales Office:
 Harvey, Louisiana: 888-545-6725
www.kilopak.com