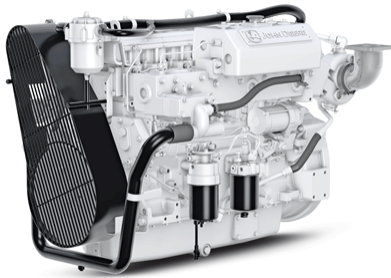


PowerTech™

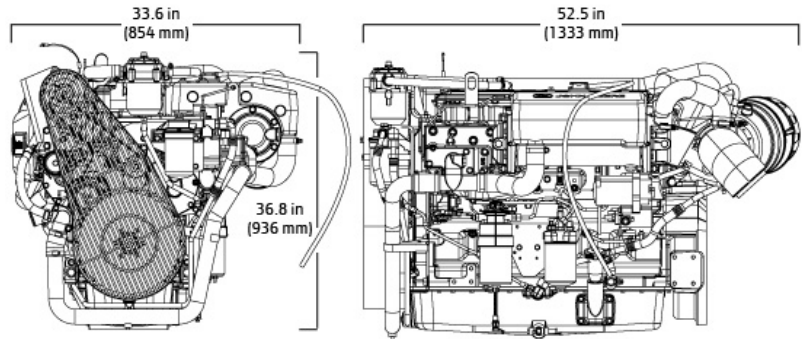
6068AFM85 Diesel Engine

Marine Generator Drive Engine Specifications



6068AFM85 shown

Dimensions



Certifications

EPA Commercial Marine Tier 3
IMO MARPOL Annex VI Compliant

General data

Model	6068AFM85	Length - mm (in)	1333 (52.5)
Number of cylinders	6	Width - mm (in)	854 (33.6)
Displacement - L (cu in)	6.8 (415)	Height, Centerline to Top-- mm. (in)	646 (25.4)
Bore and Stroke-- mm (in)	107 x 127 (4.21 x 5.00)	Height, Centerline to Bottom-- mm. (in)	290 (11.4)
Compression Ratio	16.7 : 1	Weight, dry-- kg (lb)	787 (1735)
Engine Type	In-line, 4-Cycle	Maximum Installed Angle	Front Up – degrees 12 Front Down – degrees 0
Aspiration	Turbocharged and air-to-coolant aftercooled		

Features and benefits

High Pressure Common Rail Fuel System

- High injection pressures
- Variable injection pressure and timing control

Replaceable Wet-type Cylinder Liners

- Hardened and precision machined for long life
- Rebuild to original specifications

Watercooled Turbocharger and Exhaust Manifold

- Cooler and quieter environment for vessel and crew
- Reduced external connections eliminates hoses and fittings that can leak or break

Heat Exchanger or Keel Cooled

- High-capacity heat exchanger designed for reliable operation in adverse conditions
- Keel cooled option provides application flexibility

Corrosion Resistant Components

- Provides engine protection from the effects of seawater

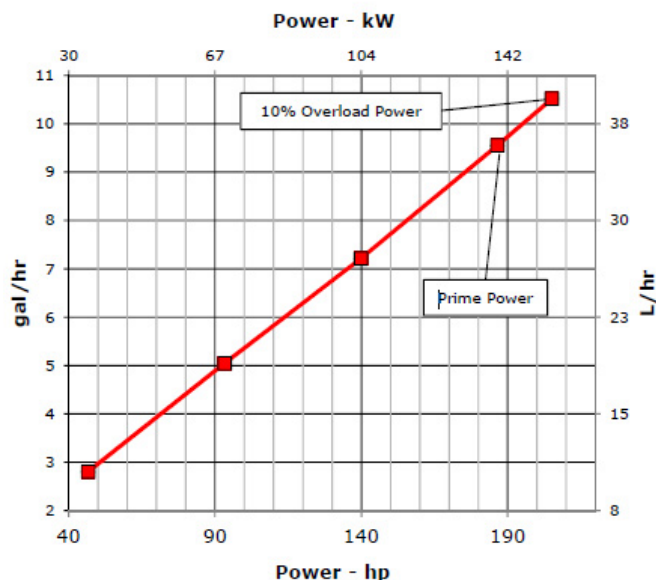
John Deere Electronic Control System

- Advanced fault code diagnostics and customizable engine protections ensure reliability and uptime
- Highly customizable features and trim to integrate your vessel and meet specific applications needs
- Built in engine synchronization feature
- Built in controls eliminates the need for costly add on engine warning systems and associated components

Either-side Service

- Oil fill and dipstick combinations
- Remote oil filter for easier service access

Performance curve



System data	1800 rpm	1500 rpm
Air system		
Engine air flow - m ³ /min (ft ³ /min)	15.5 (547.4)	10.0 (353.1)
Exhaust system		
Dry - mm (in)	101.6 (4.0)	101.6 (4.0)
Wet - mm (in)	127.0 (5.0)	127.0 (5.0)
Cooling system		
Coolant flow - L/min (gal/min)	194 (51.2)	160.5 (42.4)
Sea water system		
Pump flow - L/min (gal/min)		
Fuel system		
Governor type	Electronic	Electronic
Governor regulation - %		
Total fuel flow - L/hr (gal/hr)	162 (42.8)	162 (42.8)

Performance data	1800 rpm	1500 rpm
10% overload engine Power - kW (hp)	183 (245.4)	153 (205.2)
Prime engine power - kW (hp)	166 (222.6)	139 (186.4)
Low idle speed - rpm		
BMEP - kPa (psi)	NA	NA

Performance data

Hz (rpm)	Generator efficiency %	Keel cooled		Power factor	Calculated gen-set rating	
		(no fan)			kW	kVA
50 (1500)	88-92	--	--	0.8	122-129	153-161
60 (1800)	88-92	--	--	0.8	146-153	183-191

John Deere Power Systems
 3801 W. Ridgeway Ave.
 PO Box 5100
 Waterloo, IA 50704-5100
 Phone: 1-800-533-6446
 Fax: 319.292.5075

John Deere Power Systems
Usine de Saran
 La Foulonnerie - B.P. 11.13
 45401 Fleury les Aubrais Cedex
 France
 Phone: 33.2.38.82.61.19
 Fax: 33.2.38.82.60.00

Preliminary Information
 All values at rated speed and power with standard options unless otherwise noted.
 Specifications and design subject to change without notice.